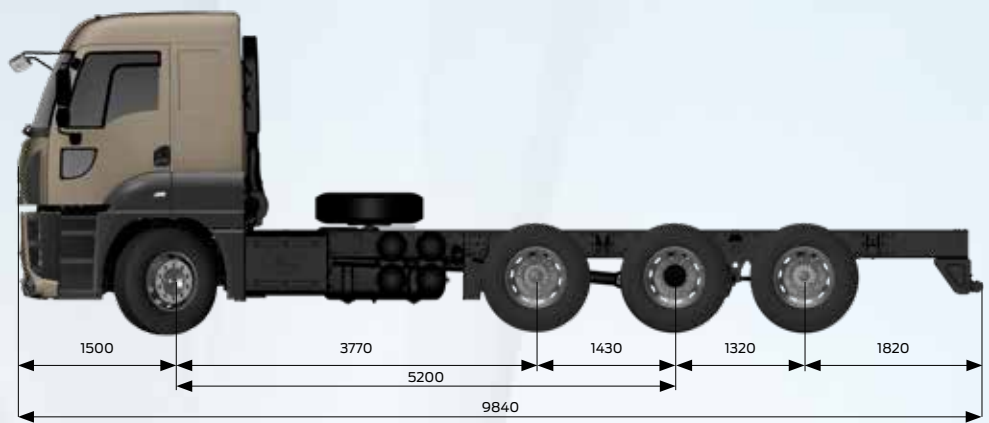
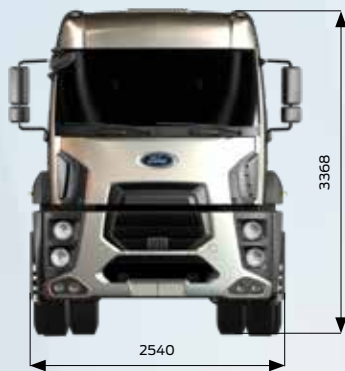


FORD TRUCKS 3242S HR EURO6



Basic Features

| | |
|----------------|-----------------------|
| Vehicle Type | Road Truck |
| Axle | 8x2 |
| Emission | Euro 6 |
| Cabin Type | High Roof Sleeper Cab |
| Wheelbase (mm) | 5200 |

Engine

| | |
|--------------------|------------------------------|
| Type | Ecotorq 12,7 litre |
| Displacement (cc) | 12740 |
| Diameter x Stroke | 130 mm x 160 mm |
| Power | 420 PS (308,9 kW) / 1800 rpm |
| Torque | 2150 Nm / 1000-1300 rpm |
| Compression Ratio | 17 +/- 0,5 : 1 |
| Oil Filling Volume | 50 L |
| Coolant Volume | 57 L (77 L with Intarder) |

Transmission

| | |
|--|----------------------------|
| Clutch | 430 mm Single Disc |
| Automated Transmission / Ratios (1. gear - 12. gear) | ZF 12 TX 2210 (16,688 - 1) |

Steering

Power assisted single circuit

Chassis

| | |
|-------------------------|--|
| Chassis Thickness | 7 mm with Reinforcement |
| Chassis Strength | 355 MPa |
| Suspension (Front/Rear) | Parabolic Leaf Spring / Compensating Arm Mechanical Suspension |
| Axle | Standard Single Reduction |
| Axle Ratio | 3,08 |
| Tyres (Front/Rear) | 315/80 R 22,5 |
| Wheel Rim | 22,5 x 9 Steel |

Braking System

| | |
|---|---|
| Brakes (Front/Rear) (Ø.mm x mm. Length) | 430 x 45 Disc Brake |
| Braking System | Dual Brake Circuit - Air Processing Unit with Integrated Oil Separator and Heater |
| Engine Brake Power | max. 320 kW (Engine Level) |
| Intarder Power | max. 600 kW / continuous 160 kW |

Electric System

| | |
|----------------------------|----------------|
| Battery | 180 Ah |
| Alternator / Starter Motor | 130 A / 6,5 kW |

Tanks

| | |
|-----------|-----------------|
| Fuel Tank | 550 L Aluminium |
| SCR Tank | 78 L |



Sharing the load

| Dimensions (mm) | | | | | |
|--|---------|---------|---------|---------|-------|
| Front Overhang | 1500 | | | | |
| Wheelbase | 5200 | | | | |
| Overall Length | 9840 | | | | |
| Distance Between 1 st and 2 nd Wheel Centers | 3770 | | | | |
| Distance Between 2 nd and 3 th Wheel Centers | 1430 | | | | |
| Distance Between 3 th and 4 th Wheel Centers | 1320 | | | | |
| Overall Cab Length | 2305 | | | | |
| Overall Vehicle Height | 3368 | | | | |
| Overall Vehicle Width (Excluding Mirrors) | 2540 | | | | |
| Chassis Width | 866 | | | | |
| Rear Overhang | 1820 | | | | |
| Useful Chassis Length | 7200 | | | | |
| Chassis height-Front | 1049 | | | | |
| Chassis height-Rear | 1076 | | | | |
| Ground clearance-Front | 305 | | | | |
| Ground clearance-Rear | 240 | | | | |
| Turning Radius | 10700 | | | | |
| Weights (kg) | 1. Axle | 2. Axle | 3. Axle | 4. Axle | Total |
| Technically Permissible Weights | 7100 | 7100 | 12000 | 10400 | 33000 |
| Kerb Weight | 5399 | 1668 | 1907 | 1293 | 10267 |
| Payload | 1701 | 5432 | 10093 | 9107 | 22173 |
| GVM (legal) | 7100 | 7100 | 9500 | 8500 | 32000 |

STANDARD EQUIPMENT

- Air Conditioner
- AM/FM/Aux In/USB/Bluetooth (Radio with Bluetooth)
- Auxiliary Cabin Heater (Dry Type)
- 4 Points Independent Cab Suspension for Day Cab
- Automated Transmission (with Normal Mode, Power Mode, Rocking Mode)
- Cruise Control
- Engine Brake
- Disc Brake
- Differential Lock
- Electronic Brake System (EBS) and Anti-Lock Brake System (ABS)
- Hill Launch Assist
- Electrically Operated Windows
- Electrically Operated and Heated Side Mirrors
- Electrically Operated Headlight Leveling
- Rake and Reach Adjustable Steering Column
- Heated and Air Suspended Driver Seat
- Lumbar Support
- Manually Operated Sunroof
- Continuous Wear Sensor
- Immobilizer
- Single Key with Remote Control and Central Locking
- Home Safe Light
- Approach Light
- Front and Rear Fog Lamps
- Digital Tachograph
- Spare Wheel
- Tag Axle Lifting (Auto Drop Function)
- Optional Equipments
- Front and Rear Vehicle Antiroll Bars
- Electronic Brake Force Control
- Medium Bumper
- Oil Pan Protection

OPTIONAL EQUIPMENT

- Cold pack (Includes Dry Type Heater and 225 Ah Battery)
- Cold pack (Includes Wet Type Heater and 225 Ah Battery)
- Cold Pack (Includes Dry Type Heater, Wet Type Heater and 225 Ah Battery)
- Firefighter Pack
- Transmission Offset (Double Gear) PTO without Flange (includes Power Take off Control Unit)
- Transmission Direct (Double Gear) PTO with Flange (includes Power Take off Control Unit)
- Engine Driven PTO & Interior Control Unit
- ADR Pack
- RCV Pack
- Cold Climate Pack
- Auxiliary Cabin Heater (Wet Type)
- Power Cab Tilting
- Metallic Paint / Special Colors
- RHS Free 5900 Wheelbase Option *
- Rain Sensor (available with auto light sensor)
- Intarder
- Front Towing Hooks (Double Hook)
- Rear Towing Cross Member
- 8T Front Axle Technical Capacity
- Less Spare Tire

* Available with ADR and 250lt LHS Fuel Tank

This leaflet includes products designed for Ford vehicles. It provides information about the current technical specifications and the standard or optional accessories available as of the date it was issued. Features of standard and optional accessories of the vehicles may be changed from time to time. For this reason, please consult our Authorized Dealers to obtain updated and accurate information on the features of the vehicle you wish to buy. For the aforementioned reason, this leaflet does not constitute an assurance as to the specifications listed herein. The images used in this leaflet may be different from the vehicles on sale. The technical specifications provided herein are for standard vehicles. Selection of any optional accessories might cause differences from these specifications.