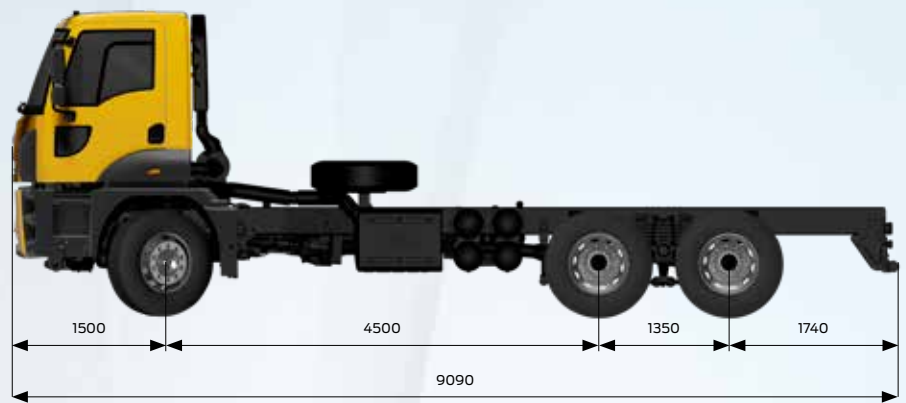


FORD TRUCKS 3542 DC EURO6



Basic Features

Vehicle Type	Road Truck
Axle	6x4
Emission	Euro 6
Cabin Type	Day Cab
Wheelbase (mm)	4500

Engine

Type	Ecotorq 12.7 litre
Displacement [cc]	12740
Diameter x Stroke	130 mm x 160 mm
Power	430 PS (316,3 kW) / 1800 rpm
Torque	2150 Nm / 1000-1300rpm
Compression Ratio	17 +/- 0,5 : 1
Oil Filling Volume [l]	50 L
Coolant volume [l]	without Intarder 57 L ; with Intarder 77 L

Transmission

Clutch	430 mm Single Disc
Manuel Transmission / Ratios (1. gear - 16. gear)	ZF 16S 2230 (13,805-0,836)
Automated Transmission / Ratios (1. gear - 16. gear)	ZF 12 TX 2210 (16,688-1)

Steering

Power Assisted Single Circuit

Chassis

Chassis Thickness (mm)	10mm with Local Reinforcement
Chassis Strength [MPa]	500 MPa
Suspension (Front / Rear)	Parabolic Leaf Springs / Parabolic Tandem Suspension
Axle	Hub Reduction
Axle Ratio	4,08 / 3,57
Tyres	315/80 R 22,5
Wheel Rim	22,5 x 9 Steel

Braking System

Brakes (front/rear) (Ø,mm x mm. length)	410 X 200, Z-Cam Drum Brake System
Braking System	Dual Brake Circuit – Air Processing Unit with Integrated Oil Separator and Heater
Engine Brake Power	max. 320 kW (Engine Level)
Intarder Power [Optional]	max. 600kW / continuous 160kW

Electrical System

Battery	24V, 2 x 12V 150 Ah
Alternator / Starter Motor	130 A / 6.5 kW

Tanks

Fuel Tank	315 L Steel
SCR Tank	55 L



Sharing the load

Dimensions (mm)	
Front Overhang	1500
Wheelbase	4500
Overall Length	9090
Distance between 2nd and 3th wheel centers	1350
Overall Cab Length	2043
Overall Vehicle Height	3100
Overall Vehicle Width (excluding Mirrors)	2540
Chassis Width	770
Rear Overhang	1740
Useful Chassis Length	6738
Chassis Height-Front	1093
Chassis Height-Rear	1155
Ground Clearance-Front	390
Ground Clearance-Rear	303
Turning Radius	9790

Weights (kg)	1. Axle	2. Axle	3. Axle	Total
Technically Permissible Weights	8000	13400	13400	34000
Kerb Weight	5484	2238	2238	9959
Payload	2516	11162	11163	24042
GVM (Legal)	8000	9500	9500	26000

STANDARD EQUIPMENT

- Air Conditioner
- AM/FM/Aux In/USB/Bluetooth (Radio with Bluetooth)
- 4 Points Independent Cab Suspension for Day Cab
- Cruise Control
- Engine Brake
- Drum Brake
- Electrically Operated Windows
- Electrically Operated and Heated Side Mirrors
- Electrically Operated Headlamp Leveling
- Rake and Reach Adjustable Steering Column
- Heated and Air Suspended Driver Seat
- Lumbar Support
- Front and Rear Vehicle Antiroll Bars
- Anti-Lock Brake System (ABS)
- Brake Lining Wear Indicator
- Immobilizer
- Single Key with Remote Control and Central Locking
- Home Safe Light
- Approach Lights
- Differential Lock
- Digital Tachograph
- Switchable Air Compressor for Improved Fuel Economy
- Rear Window
- Front Towing Hooks (Double Hook)
- Oil Pan Protection
- Short Bumper
- Double Roof Marker Lamps

OPTIONAL EQUIPMENT

- Transmission Offset (Double Gear) PTO without Flange (includes Power Take off Control Unit)
- Transmission Direct (Double Gear) PTO with Flange (includes Power Take off Control Unit)
- Automated Transmission (with Normal Mode, Off Road Mode, Rocking Mode)
- Intarder
- ADR Pack
- Low Roof Sleeper Cab
- Auxiliary Cabin Heater (Wet Type)
- Cold Pack with Wet Type Cab Heater and 225 Ah Battery
- Electrically Operated Cab Tilting
- Engine PTO Options & Interior Control Unit
- Transmission PTO Options & Interior Control Unit
- Dual Passenger Seat
- Manually Operated Sunroof
- Automatic Traction Control (ATC)
- 10T Towing Capability
- 22T Towing Capability
- Less Spare Tire
- Electronic Brake System (EBS)
- Electronic Stability Control (ESP)

This leaflet includes products designed for Ford vehicles. It provides information about the current technical specifications and the standard or optional accessories available as of the date it was issued. Features of standard and optional accessories of the vehicles may be changed from time to time. For this reason, please consult our Authorized Dealers to obtain updated and accurate information on the features of the vehicle you wish to buy. For the aforementioned reason, this leaflet does not constitute an assurance as to the specifications listed herein. The images used in this leaflet may be different from the vehicles on sale. The technical specifications provided herein are for standard vehicles. Selection of any optional accessories might cause differences from these specifications.