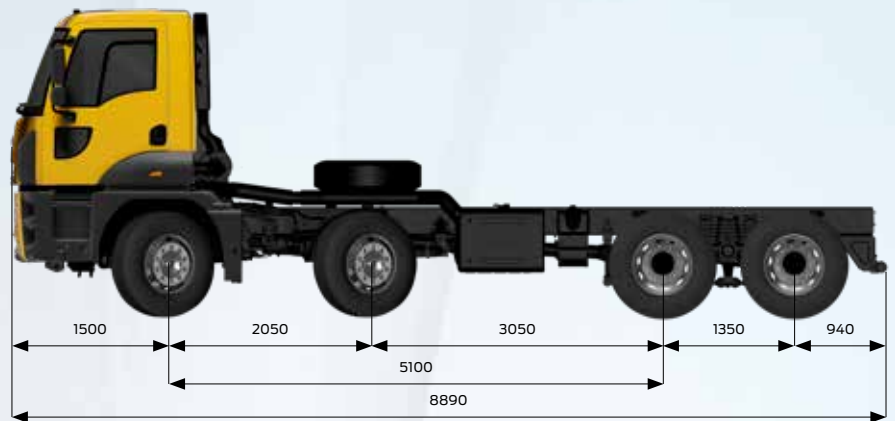


FORD TRUCKS 4142D EURO6



Basic Features

Vehicle Type	Tipper
Axle	8x4
Emission	Euro 6
Cabin Type	Day Cab
Wheelbase (mm)	5100

Engine

Type	Ecotorq 12,7 litre
Displacement (cc)	12740
Diameter x Stroke	130 mm x 160 mm
Power	420 PS (308,9 kW) / 1800 rpm
Torque	2150 Nm / 1000-1300 rpm
Compression Ratio	17 +/- 0,5 : 1
Oil Filling Volume	50 L
Coolant Volume	57 L (77 L with Intarder)

Transmission

Clutch	2 x 400 mm Twin Clutch
Manuel Transmission / Ratios (1. gear - 16. gear)	ZF 16S 2230 (13,805-0,836)
Automated Transmission / Ratios (1. gear - 12. gear)	ZF 12 TX 2210 (16,688 - 1)

Steering

Power assisted single circuit

Chassis

Chassis Thickness	10 mm with Reinforcement
Chassis Strength	500 MPa
Suspension (Front / Rear)	90 mm Parabolic Leaf Springs / Multileaf Tandem Suspension
Axle	Hub Reduction
Axle Ratio (Manual / Automatic)	4,87 / 4,08
Tyres	315/80 R 22,5
Wheel Rim	22,5 x 9 Steel

Braking System

Brakes (Ø mm x mm Length)	410 x 200, Z-Cam Drum Brake System
Braking System	Dual Brake Circuit - Air Processing Unit with Integrated Oil Separator and Heater
Engine Brake Power	max. 320 kW (Engine Level)
Intarder Power	max. 600 kW / Continuous 160 kW

Electrical System

Battery	24V, 2 x 12V 150 Ah
Alternator / Starter Motor	130 A / 6,5 kW

Tanks

Fuel Tank	315 L Steel
SCR Tank	55 L



Sharing the load

Dimensions (mm)

Front Overhang	1500
Wheelbase	5100
Overall Length	8890
Distance Between 1 st and 2 nd Wheel Centers	2050
Distance Between 2 nd and 3 th Wheel Centers	3050
Distance Between 3 th and 4 th Wheel Centers	1350
Overall Cab Length	1820
Total Vehicle Height	3245
Overall Vehicle Width (Excluding Mirrors)	2540
Chassis Width	770
Rear Overhang	940
Useful Chassis Length	6490
Chassis Height - Front	1185
Chassis Height - Rear	1186
Ground Clearance - Front	380
Ground Clearance - Rear	296
Turning Radius	10640

Weights (kg)	1. Axle	2. Axle	3. Axle	4. Axle	Total
Technically Permissible Weights	8000	8000	13400	13400	41900
Kerb Weight	3806	3765	2046	2045	11662
Payload	4194	4235	11354	11355	30238
GVM (Legal)	8000	8000	9500	9500	32000

STANDARD EQUIPMENT

- Manuel Air conditioner
- AM/FM/Aux In/USB/Bluetooth (Radio with Bluetooth)
- 4 Points Independent Cab Suspension for Day Cab
- Transmission Offset (single gear) PTO without Flange & Interior Control Unit
- Cruise Control
- Drum Brake
- Engine Brake
- Electrically Operated Windows
- Electrically Operated and Heated Side Mirrors
- Electrically Operated Headlamp Leveling
- Rake and Reach Adjustable Steering Column
- Heated and Air Suspended Driver Seat
- Switchable Air Compressor for Improved Fuel Economy
- Lumbar Support
- Anti-Lock Brake System (ABS)
- Brake Lining Wear Indicator
- Immobilizer
- Single Key with Remote Control and Central Locking
- Home Safe Light
- Approach Light
- Differential Lock
- Digital Tachograph
- Front Towing Hooks (Double Hook)
- Short Bumper
- Fuel Tank Protector

OPTIONAL EQUIPMENT

- Automated Transmission (with Normal Mode, Off-Road Mode, Rocking Mode)
- Engine Driven PTO & Interior Control Unit
- Transmission Direct (double gear) PTO without Flange
- Intarder
- ADR Pack
- Auxiliary Cabin Heater (Wet Type)
- Cold Pack with Wet Type Cab Heater and 225 Ah Battery*
- Power Cab Tilting
- Rear Window **
- 4750 mm Wheelbase Version
- Double Passenger Seat
- Extra Heavy Duty Pack (Available With 13R 22,5 Tyre)
- 3,5T Towing Capability
- 10T Towing Capability
- 27T Towing Capability
- Manually Operated Sunroof
- Front Vehicle Antiroll Bar
- Oil Pan Protection
- Multileaf Spring Front Suspension
- Lateral Protection
- Automatic Traction Control (ATC)
- Reinforced Wheel Rim
- Less Spare Tire
- Rear Towing Hook Option

* Not Available with 4750 mm Wheelbase Version.

** Not Available with Low Roof Sleeper Cab Version.

This leaflet includes products designed for Ford vehicles. It provides information about the current technical specifications and the standard or optional accessories available as of the date it was issued. Features of standard and optional accessories of the vehicles may be changed from time to time. For this reason, please consult our Authorized Dealers to obtain updated and accurate information on the features of the vehicle you wish to buy. For the aforementioned reason, this leaflet does not constitute an assurance as to the specifications listed herein. The images used in this leaflet may be different from the vehicles on sale. The technical specifications provided herein are for standard vehicles. Selection of any optional accessories might cause differences from these specifications.