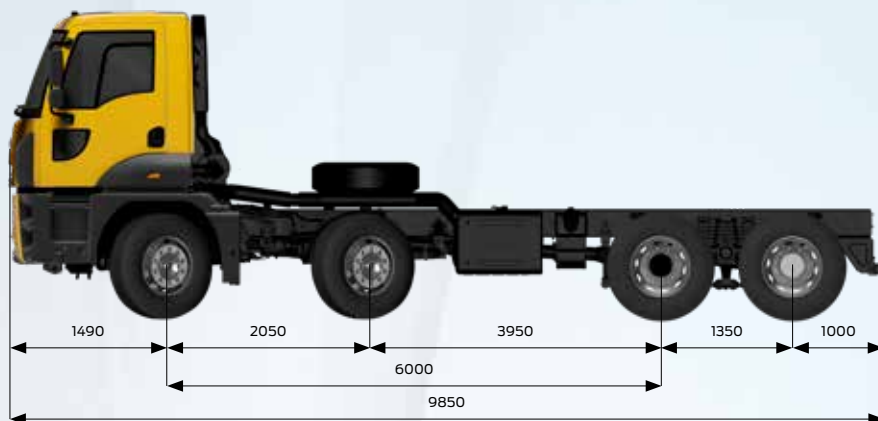


# FORD TRUCKS 4142P EURO6



## Basic Features

Vehicle Type	Concrete Pump
Axle	8x4
Emission	Euro 6
Cabin Type	Day Cab
Wheelbase (mm)	6000

## Engine

Type	Ecotorq 12.7 lt
Displacement (cc)	12740
Bore x Stroke	130 mm x 160 mm
Power	420 PS (308,9 kW) / 1800 RPM
Torque	2150 Nm / 1000-1300 RPM
Compression Ratio	17 +/- 0,5 : 1
Oil Filling Volume	50 L
Coolant Volume	57 L (77 L with Intarder)

## Transmission

Clutch	430 mm Single Disc
Manuel Transmission / Ratios (1. gear - 16. gear)	ZF 16S 2230 (13,805-0,836)

## Steering

Power assisted single circuit

## Chassis

Chassis Thickness	10 mm
Chassis Strength	500 MPa
Suspension (Front / Rear)	90 mm Parabolic Leaf Springs / 100 mm Parabolic Tandem Suspension
Axle	Hub Reduction
Axle Ratio	4,08
Tyres	315/80 R 22,5
Wheel Rim	22,5 x 9 Steel

## Braking System

Brakes (Ø mm x mm Length)	410 x 200 Z-Cam Brake System
Braking System	Dual Brake Circuit - Air Processing Unit with Integrated Oil Separator and Heater
Engine Brake Power	max. 320 kW (Engine Level)
Intarder Power	max. 600 kW / Continuous 160 kW

## Electric System

Battery	24 V, 2 x 12 V 150 Ah
Alternator / Starter Motor	130 A / 6,5 kW

## Tanks

Fuel Tank	315 L Steel
SCR Tank	55 L



Sharing the load

<b>Dimensions (mm)</b>					
Front Overhang	1490				
Wheelbase	6000				
Overall Length	9850				
Distance Between 1 <sup>st</sup> and 2 <sup>nd</sup> Wheel Centers	2050				
Distance Between 2 <sup>nd</sup> and 3 <sup>th</sup> Wheel Centers	3950				
Distance Between 3 <sup>th</sup> and 4 <sup>th</sup> Wheel Centers	1350				
Overall Cab Length	1820				
Total Vehicle Height	3166				
Overall Vehicle Width (Excluding Mirrors)	2540				
Chassis Width	770				
Rear Overhang	1000				
Useful Chassis Length	7390				
Chassis Height - Front	1153				
Chassis Height - Rear	1147				
Ground Clearance - Front	382				
Ground Clearance - Rear	299				
Turning Circle Radius	10640				
<b>Weights (kg)</b>	<b>1. Axle</b>	<b>2. Axle</b>	<b>3. Axle</b>	<b>4. Axle</b>	<b>Total</b>
Technically Permissible Weights	8000	8000	13400	13400	41900
Kerb Weight	3628	3487	2177	2157	11449
Payload	4372	4513	11223	11243	27551
GVM (Legal)	7500	7500	9500	9500	32000

### STANDARD EQUIPMENT

- Air Conditioner
- Radio/CD Player
- Cruise Control
- Engine Brake
- Drum Brake
- Electrically Operated Windows
- Electrically Operated and Heated Side Mirrors
- Rake and Reach Adjustable Steering Column
- Heated and Air Suspended Driver Seat
- Lumbar Support
- Manual Operated Sunroof
- Electrically Operated Headlamp Leveling
- Front and Rear Vehicle Antiroll Bars
- Anti-Lock Brake System (ABS)
- Brake Lining Wear Indicator
- Immobilizer
- Single Key with Remote Control and Central Locking
- Home Safe Light
- Approach Light
- Differential Lock
- Digital Tachograph
- Switchable Air Compressor for Improved Fuel Economy
- Rear Window
- Short Bumper
- 8T Front Axle

### OPTIONAL EQUIPMENT

- ADR Pack
- Wet Type Cab Heater
- Cold Pack with Wet Type Cab Heater
- Power Cab Tilting
- Engine Driven PTO & Interior Control Unit
- Automatic Traction Control (ATC)
- 5100 mm Wheelbase Option
- Less Spare Tire

This leaflet includes products designed for Ford vehicles. It provides information about the current technical specifications and the standard or optional accessories available as of the date it was issued. Features of standard and optional accessories of the vehicles may be changed from time to time. For this reason, please consult our Authorized Dealers to obtain updated and accurate information on the features of the vehicle you wish to buy. For the aforementioned reason, this leaflet does not constitute an assurance as to the specifications listed herein. The images used in this leaflet may be different from the vehicles on sale. The technical specifications provided herein are for standard vehicles. Selection of any optional accessories might cause differences from these specifications.